

Mid-Aire Systems

“Portable Platforms “

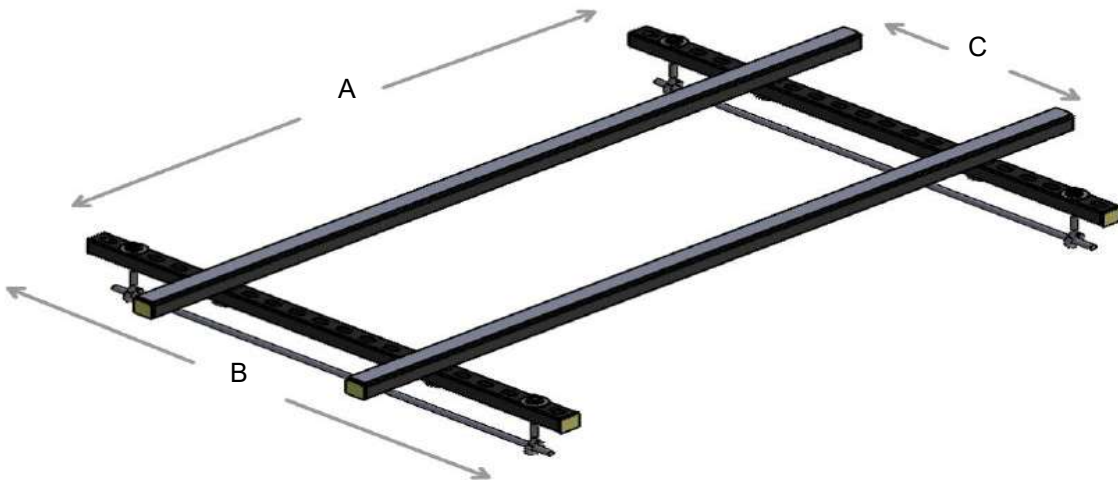


One Unit, that easily transforms into what you need, for your install or service job.

- Bolt on kits for the MAS-62-AS are:**
- Leg Support for Joist Mounting Installs
 - Leg Support for Finished Attic Installs
 - Extension kit, that will give you 20 extra inches of support
 - Drain Pan support kits
 - Ez- Install kit, for higher rafters

Specification Sheet for:

MAS-62-AS



<u>Dimension Label</u>	<u>Description</u>	<u>Dimension</u>
A	Long Main Beams	62" Nominally
B	Cross Beams	40" Nominally
C	Center Distance	18" Nominally

Mid-Aire Systems wants your feedback. We continue to develop new kits and products based on our customer's needs. If you have any questions or feedback, don't hesitate to reach out to us. Thank you for your patronage and loyalty.

Mid-Aire Systems

PH- 714-616-0343 – EM-sales@mid-airesystems.com